

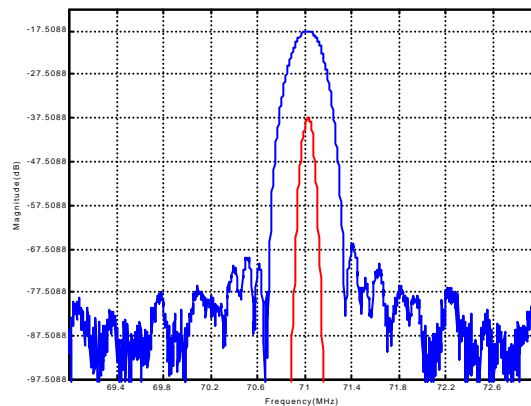


LBS07102 SAW Filter Electrical Characteristic

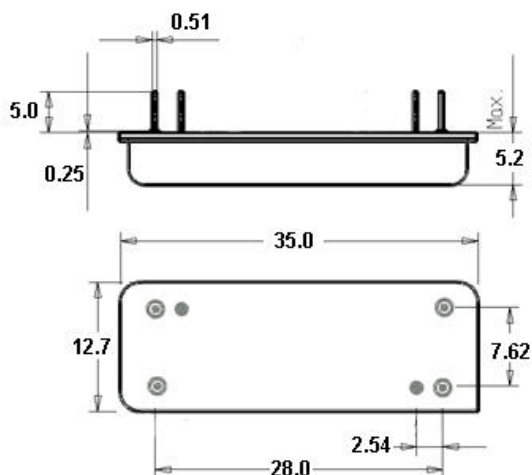
Specifications

Parameter	Unit	Minimum	Typical	Maximum
Center Frequency	MHz	70.9	71	71.1
Insertion Loss	dB		17.5	20
1 dB Bandwidth	MHz	0.1	0.123	
3 dB Bandwidth	MHz	0.2	0.202	
13 dB Bandwidth	MHz		0.392	0.4
55 dB Bandwidth	MHz		0.633	0.8
Passband variation	dB		0.05	0.1
Absolute Delay	usec		4.58	4.8
Ultimate Rejection($f_0 \pm 0.8\text{MHz}$)	dB	55	60	
Substrate Material		Quartz		
Ambient Temperature	°C	25		
Package Size		DIP3512 (35.0x12.7x5.2mm ³)		

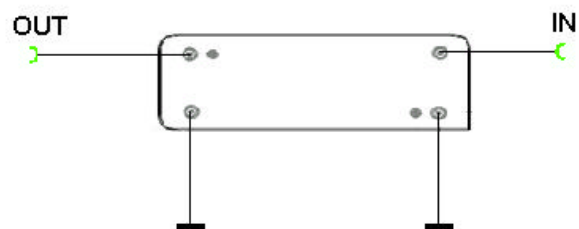
Typical Performance



Package Outline



Matching Configuration



Source/Load Impedance = 50 ohm